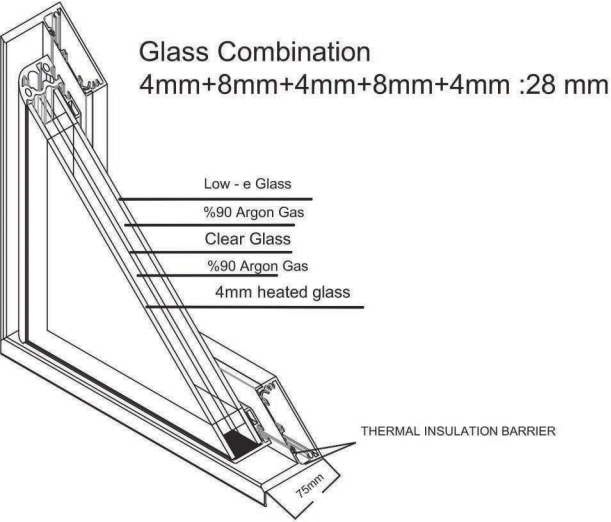
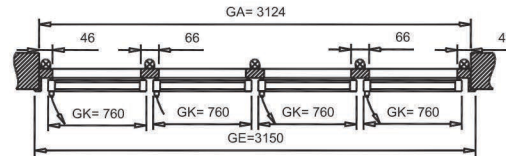
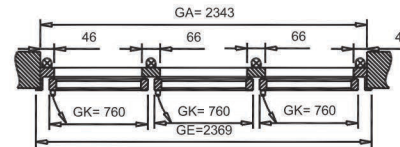
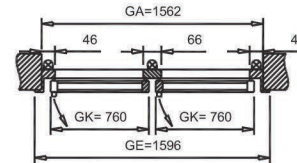
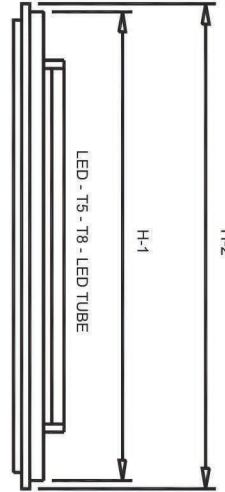
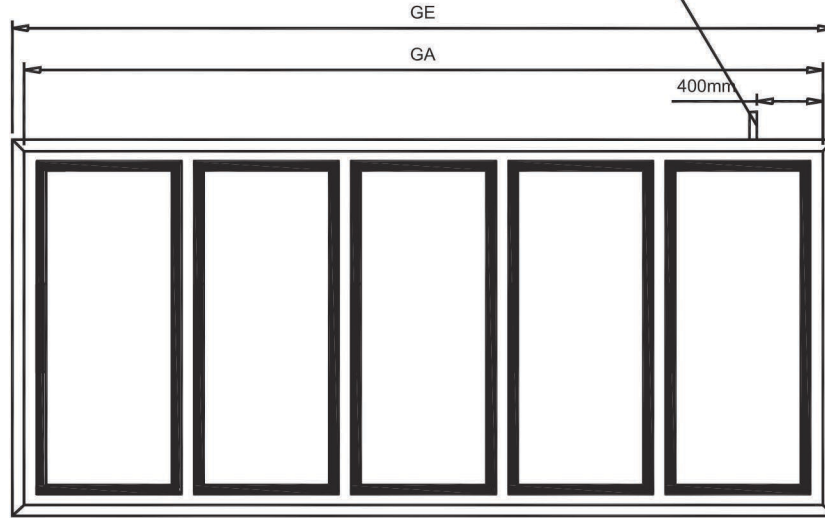


G36 FULL GLASS NEGATIVE



CABLE EXIT	L = 1200mm
LIGHTING	L = 1200mm
RESISTANCE	L = 1200mm
EARTING	L = 1200mm



G36 FULL GLASS NEGATIVE

G36	H-1	H-2
1562mm	1639mm	1665mm
1562mm	1799mm	1825mm
1562mm	1839mm	1865mm

G36 FULL GLASS NEGATIVE

G36	H-1	H-2
2343mm	1639mm	1665mm
2343mm	1799mm	1825mm
2343mm	1839mm	1865mm

G36 FULL GLASS NEGATIVE

G36	H-1	H-2
3124mm	1639mm	1665mm
3124mm	1799mm	1825mm
3124mm	1839mm	1865mm